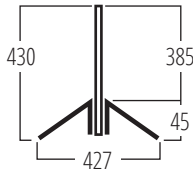


Weights in Kg

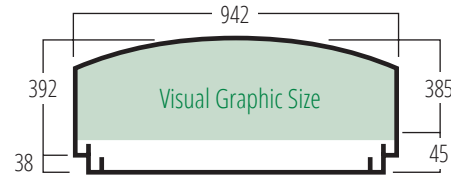
Top.....	0.94
Joining Component.....	1.88
Bottom.....	1.02
Body Panel.....	3.52
Pole Set (six pieces) G.....	2.36
Header.....	0.82
Pole Set (six pieces) M Roof Kit.....	2.58
Roof Kit.....	1.78
Bag.....	1.06

Packaging in Kg

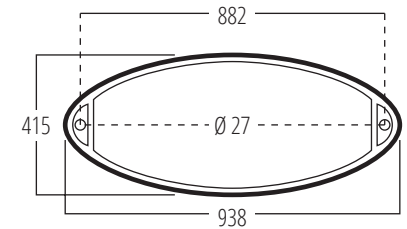
Individual reusable carton ..... 2.48  
 External size: 1075(w) x 940(d) x 110mm(h)



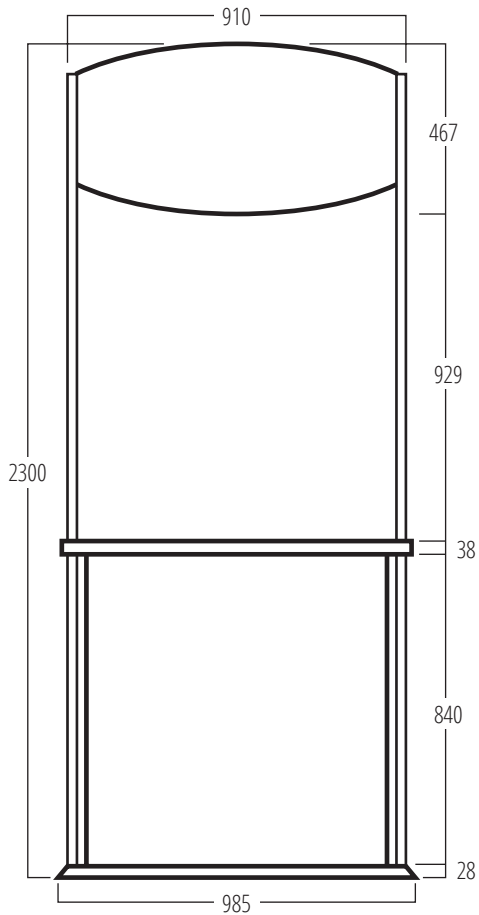
Roof Kit



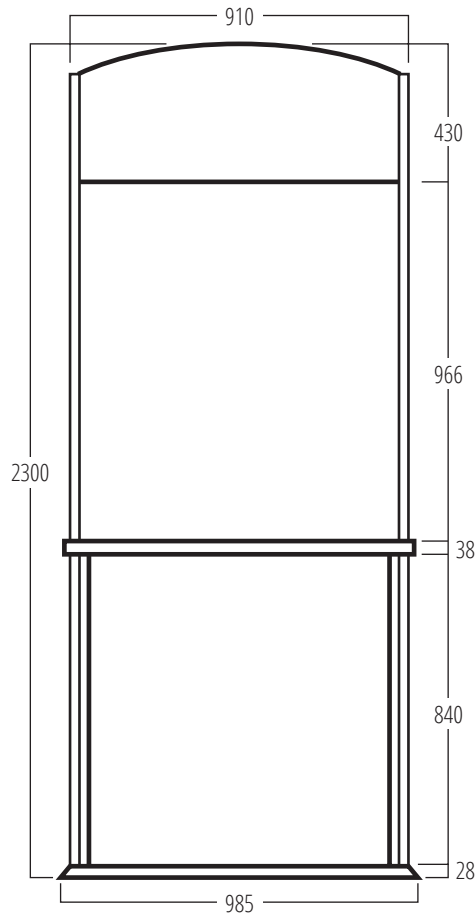
Roof Kit Header



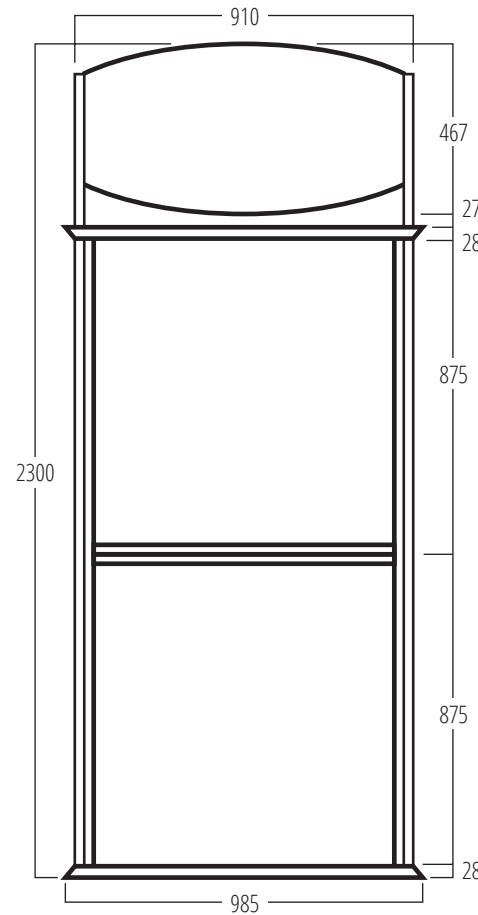
Top



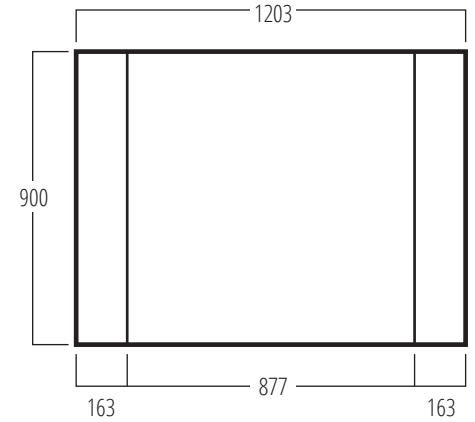
One Unit with Rounded Bottom Header



One Unit with Flat Bottom Header

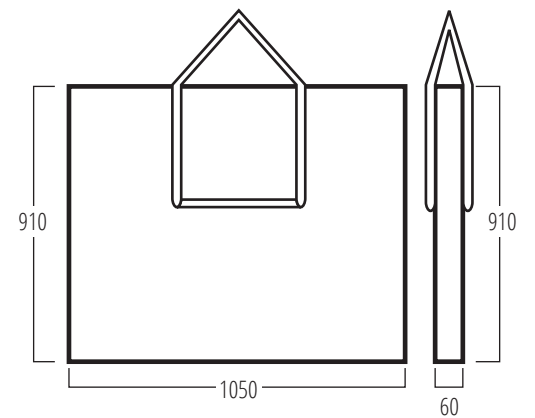


Two Units with Rounded Bottom Header



Graphic Size

Allow 35mm for top and 25mm for bottom



Carry Bag