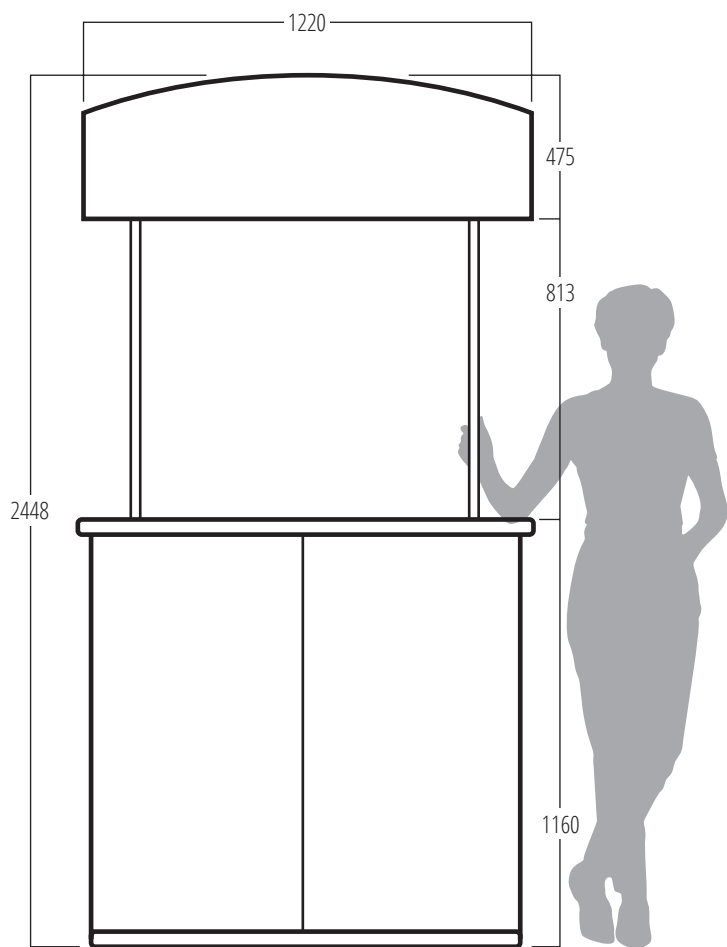


## Weights in Kg

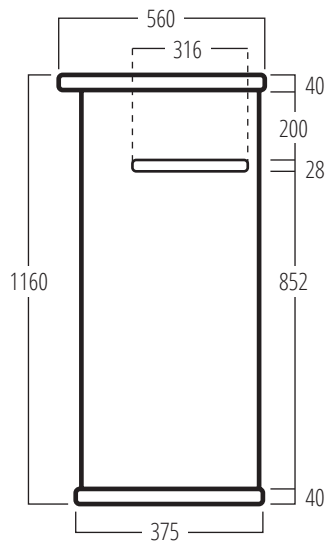
Top.....	2.72
Work Top / Shelf.....	1.68
Bottom.....	1.30
Body Panel.....	6.90
Pole Set (four pieces) J.....	2.42
Header.....	1.28
Round Tray.....	0.95
Bag.....	1.58

## Packaging in Kg

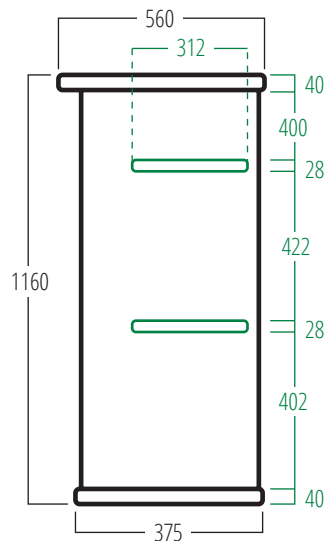
Individual reusable carton .....	2.2
External size: 1250(w) x 625(d) x 215mm(h)	
Round Tray carton .....	0.45
External size: 523 (w) x 523 (d) x 83mm(h)	



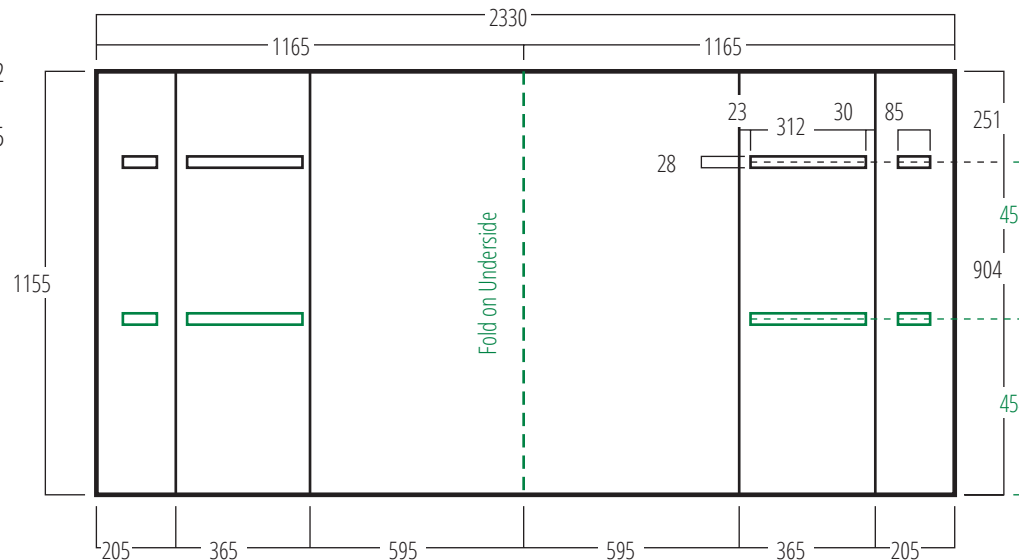
Unit and Header



Side - One Shelf

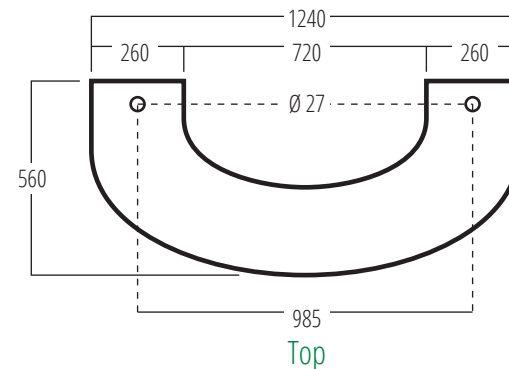


Side - Two Shelves

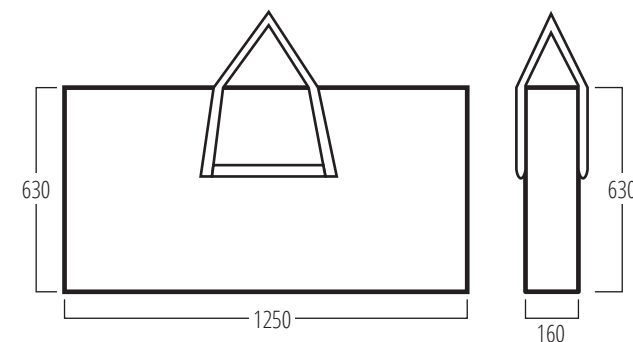


Graphic Size for One and Two Shelf Unit

Allow 37.5mm for top and bottom



Top



Carry Bag